

EQ Line

LITHION
BATTERY TECHNOLOGY



EQ LINE SPECIFICATIONS
MINI POWER PALLET TRUCKS
24/48V, 1.5 - 2.0 TONNES

NPP15QBL
NPP20QBL

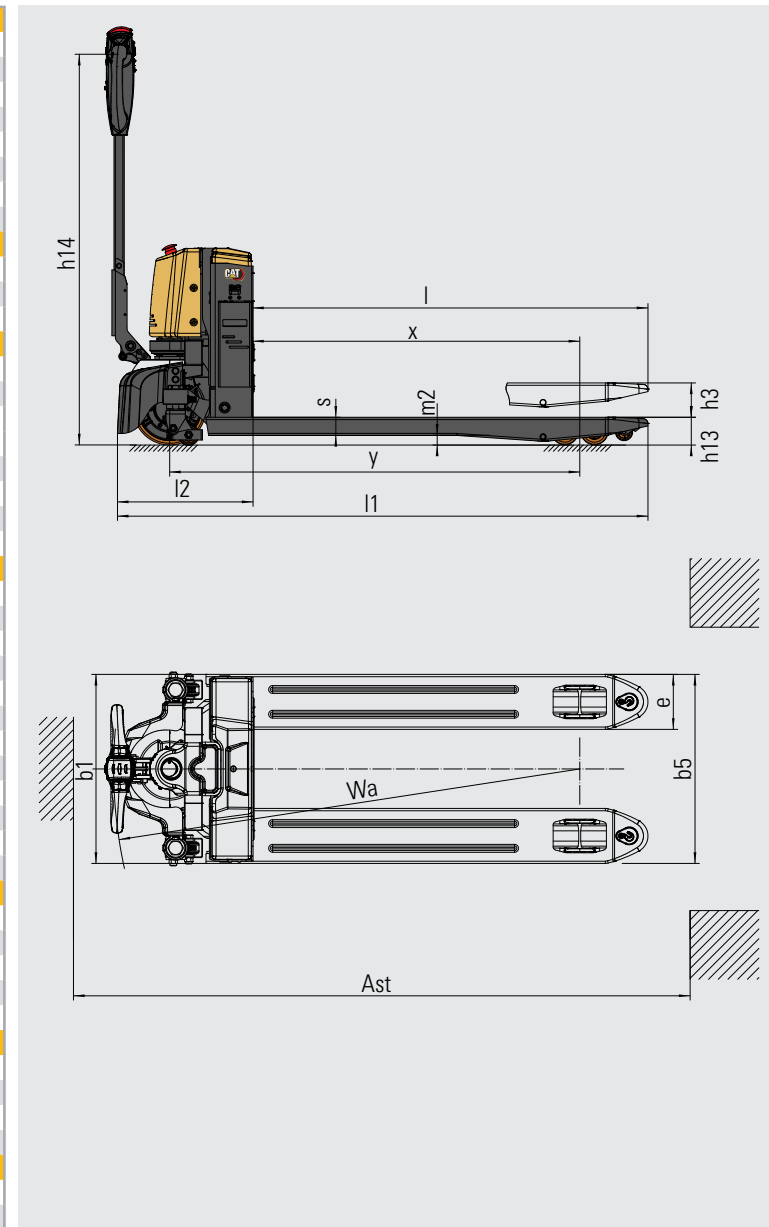
MINI BUT MIGHTY

THE GO-ANYWHERE LOAD MOVERS

Combining small size with impressive power, these handy little pallet trucks are great all-rounders. They're strong enough for light and medium duties, short and middle distances, and loads up to 2.0 tonnes. But compact enough to manoeuvre easily in narrow aisles, containers, goods vehicles and smaller buildings. You'll find multiple loading, unloading and shuttling uses for them.

CAT[®]

| Characteristics | | | | | | Cat Lift Trucks | Cat Lift Trucks |
|---------------------|---|-----------|-------|--|--|--------------------------------------|--------------------------------------|
| 1.1 | Manufacturer | | | | | NPP150BL | NPP200BL |
| 1.2 | Manufacturer's model designation | | | | | Battery | Battery |
| 1.3 | Power source | | | | | Pedestrian | Pedestrian |
| 1.4 | Operator type | | | | | 1500 | 2000 |
| 1.5 | Load capacity | Q | (kg) | | | 600 | 600 |
| 1.6 | Load centre distance | c | (mm) | | | 950/1020 | 950/1020 |
| 1.8 | Load wheel axle to fork face (forks lowered) | x | (mm) | | | 1195/1265 | 1195/1265 |
| 1.9 | Wheelbase | y | (mm) | | | | |
| Weight | | | | | | | |
| 2.1b | Truck weight without load, with maximum battery weight | | kg | | | 135 | 140 |
| 2.2 | Axle loadings with nominal load & maximum battery weight, drive / load side | | kg | | | 665 / 970 | 870 / 1270 |
| 2.3 | Axle loadings without load & with maximum battery weight, drive / load side | | kg | | | 95 / 40 | 98 / 42 |
| Wheels, Drive Train | | | | | | | |
| 3.1 | Tyres: PT=Power Thane, Vul=Vulkollan, P=Polyurethane, N=Nylon, R=Rubber drive/load side | | | | | P | P |
| 3.2 | Tyre dimensions, drive side | | (mm) | | | 210 x 70 | 210 x 70 |
| 3.3 | Tyre dimensions, load side | | (mm) | | | 80 x 70 (Tandem) 80 x 93 (Single) | 80 x 70 (Tandem) 80 x 93 (Single) |
| 3.4 | Castor wheel dimensions (diameter x width) | | (mm) | | | 60 x 35 (Option) | 60 x 35 (Option) |
| 3.5 | Number of wheels, load/drive side (x=driven) | | | | | 1x2(4) | 1x2(4) |
| 3.6 | Track width (centre of tyres), drive side | b10 | (mm) | | | 460 | 460 |
| 3.7 | Track width (centre of tyres), load side | b11 | (mm) | | | 390 | 390 |
| Dimensions | | | | | | | |
| 4.4 | Lift height | h3 | (mm) | | | 110 | 110 |
| 4.9 | Height of tiller arm / steering console (min./max.) | h14 | (mm) | | | 650/1135 | 650/1135 |
| 4.15 | Fork height, fully lowered | h13 | (mm) | | | 80 | 80 |
| 4.19 | Overall length | l1 | (mm) | | | 1545 | 1545 |
| 4.20 | Length to fork face | l2 | (mm) | | | 395 | 395 |
| 4.21 | Overall width | b1 | (mm) | | | 550/680 | 550/680 |
| 4.22 | Fork dimensions (thickness, width, length) | s / e / l | (mm) | | | 70/160/1150 | 70/160/1150 |
| 4.25 | Outside width over forks (minimum-maximum) | b5 | (mm) | | | 550 | 550 |
| 4.32 | Ground clearance at centre of wheelbase, (forks lowered) | m2 | (mm) | | | 27 | 27 |
| 4.33a | Working aisle width (Ast) with 1000 x 1200 mm pallets, load crosswise | Ast | (mm) | | | 2150 | 2150 |
| 4.34a | Working aisle width (Ast) with 800 x 1200 mm pallets, load lengthwise | Ast | (mm) | | | 2015 | 2015 |
| 4.35 | Turning radius | Wa | (mm) | | | 1345 | 1345 |
| Performance | | | | | | | |
| 5.1 | Travel speed, with/without load | | km/h | | | 4.3/4.5 | 4.6/4.8 |
| 5.2 | Lifting speed, with/without load | | m/s | | | 0.025/0.030 | 0.020/0.025 |
| 5.3 | Lowering speed, with/without load | | m/s | | | 0.035/0.025 | 0.035/0.025 |
| 5.8 | Maximum gradeability with / without load | | % | | | 5/20 | 6/20 |
| 5.10 | Service brake | | | | | Electric | Electric |
| Electric motors | | | | | | | |
| 6.1 | Drive motor capacity (60 min. short duty) | | kW | | | 0.75 | 1 |
| 6.2 | Lift motor output at 15% duty factor | | kW | | | 0.8 | 0.8 |
| 6.4 | Battery voltage/capacity at 5-hour discharge | | V /Ah | | | 24 / 25 | 48 / 20 |
| 6.5 | Battery weight | | kg | | | 9 | 10 |
| Miscellaneous | | | | | | | |
| 8.1 | Type of drive control | | | | | Stepless | Stepless |
| 10.7.1 | Level of noise at the ear level of the driver according to EN 12 053:2001 and EN ISO 4871, drive/lift/idle LpAZ | | dB(A) | | | 70 | 70 |



EQLine

CAT LIFT TRUCKS QUALITY – FOR EVEN THE SMALLEST JOBS

Our EQ line warehouse trucks have everything you need for dependable, entry-level materials handling. That includes sturdy construction, simple maintenance, energy-efficient features, robust performance, user-friendly design, and safety. A product line for light applications. If that's what you need to get your job done, the EQ line is your perfect choice.

With their compact dimensions and small turning radius, our mini power pallets will fit anywhere – and work anywhere. Inside vehicles and cargo containers. Through narrow aisles and passages. In cluttered workshops, retail stores, small supermarkets and local warehouses. Wherever you need them.

The trucks' high stability and manoeuvrability enable fast but safe operation. Steering and control is via a user-friendly tiller head which brings all functions within easy reach. Every travel or hydraulic movement, including pallet entry and exit, is smooth and precise.

Different battery voltages (24/48V) and capacities (from 20 to 60Ah) can be matched to your application needs. Li-ion technology maximises power, efficiency, runtime and lifetime, with zero battery maintenance requirements. Onboard opportunity charging and rapid lateral battery exchanging add extra operational flexibility.

Enclosed in metal, these Cat lift trucks are robustly built to high quality standards. Their durable components and inbuilt protective mechanisms help ensure long, trouble-free life. Low prices, minimal maintenance needs and economical energy use further reduce their total cost of operation (TCO).



LOWER COST OF OWNERSHIP

- High-quality, robust construction – including metal outer case for impact resistance – ensures reliable operation over a long lifetime, with minimal servicing and repair needs.
- Integrated rocker arm reinforces the truck's structural strength and stability.
- Large-diameter plunger cylinder lowers the hydraulic pressure needed, leading to longer service life and lower risk of failure.
- Lifting overload and maximum height cutouts protect hydraulic system, cylinder and electrical components.
- Li-ion batteries give maximum lifespan, efficiency and runtime, with no need for water top-ups or other maintenance.
- Plug-in diagnostics and troubleshooting require only a laptop, software and a cable – not an expensive hand-held device – to reduce downtime and maintain efficient performance.
- PIN code access prevents unauthorised use. (Available on 2t model with BDI and hour meter).

UNMATCHED PRODUCTIVITY

- Compact and stable design gives fast, safe performance with great manoeuvrability.
- Side castor wheels further enhance stability.
- Small turning radius allows efficient travel and load handling even in tight spaces such as narrow aisles and lorry trailers.
- High-specification forks feature tapered tips, tandem polyurethane (PU) rollers and fork tip rollers, for smooth pallet entry and exit, quiet running, and additional grip.
- 800 mm marking on forks helps in easy and steady crosswise handling of EU pallets.
- Weighing scale and printer enable quick and simple measurement and recording of load weights.

- Battery voltage and capacity choices allow matching to different application needs.
- Li-ion technology makes continuous, powerful operation possible, without battery changes, using fast opportunity charging during short breaks.
- External charger (supplied) enables full recharging of a spare battery in just 3 hours.
- Sideways battery exchange requires no additional tools or devices and takes just 10 seconds.
- Standard BDI (battery discharge indicator) and hour meter (optional on 2.0t model) support optimal timing of battery charging/charging.

SAFETY AND ERGONOMICS

- Multifunctional tiller head conveniently houses controls for lifting and lowering, forward and backward travel, and emergency reverse, along with electric lock and information display.
- Turtle/creep speed switch allows manoeuvring with tiller arm vertical, for safe movement through narrow spaces.
- Low ground clearance (27 mm) reduces risk of trapping foot.
- Electromagnetic brake system enhances braking performance.
- Parking brake is automatically applied when the truck stops on gradients and ramps.
- Li-ion battery chemistry means no risk of hazardous gas or acid leaks.

EQ LINE LI-ION BATTERIES

Our EQ line warehouse trucks come equipped with lithium-ion (Li-ion) battery technology.

A great advantage of Li-ion is that it allows the use of opportunity charging. Instead of exchanging batteries between shifts, you can simply plug into a fast charger during short breaks. Your business will also enjoy the other efficiency, environmental and safety benefits outlined here.



LONGER LIFE

– 3 to 4 times lead-acid lifespan –
reduces overall battery investment



FASTER CHARGING

– enables full charge in as little as
1 hour with the fastest chargers



HIGHER EFFICIENCY

– energy losses during charging and
discharging are up to 30% lower, so
electricity consumption is reduced



NO BATTERY CHANGING

– fast opportunity charging –
15 minutes for several hours of
extra runtime – makes operation
convenient with just one battery and
minimises the need to buy, store and
maintain spares



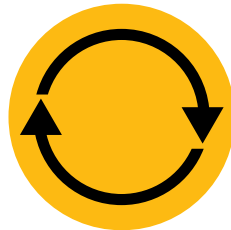
LONGER RUNTIME

– thanks to more efficient battery
performance and use of opportunity
charges, which can be given at any
time without damaging the battery or
shortening its lifespan



NO DAILY MAINTENANCE

– the battery stays on board the
truck for charging and there is
no need for water top-ups or
electrolyte checks



CONSISTENTLY HIGH PERFORMANCE

– with a more constant voltage curve
– maintains truck performance even
as battery charge gets low



INBUILT PROTECTION

– intelligent battery management
system (BMS) automatically
prevents excessive discharge,
charge, voltage and temperature, as
well as virtually eliminating misuse

info@catlifttruck.com | www.catlifttruck.com

WESC2443(02/24) © 2024 MLE B.V. (registration no. 33274459). All rights reserved. CAT, CATERPILLAR, LET'S DO THE WORK, their respective logos, "Caterpillar Yellow", the "Power Edge" and Cat "Modern Hex" trade dress as well as corporate and product identity used herein, are trademarks of Caterpillar and may not be used without permission.

NOTE: Performance specifications may vary depending on standard manufacturing tolerances, vehicle condition, types of tyres, floor or surface conditions, applications, or operating environment. Trucks may be shown with non-standard options. Specific performance requirements and locally available configurations should be discussed with your Cat lift trucks Dealer. Cat Lift Trucks follows a policy of continual product improvement. For this reason, some materials, options and specifications could change without notice.

