



- EP60N
- EP60NH
- EP65N
- EP65NH
- EP70N
- EP70NH
- EP80N
- EP80NH
- EP80N-900
- EP80NH-900
- EP90N
- EP90NH
- EP100N
- EP100NH
- EP120NH

HEAVYWEIGHT REWARDS

SPECIFICATIONS

ELECTRIC POWERED LIFT TRUCKS 96V, 6.0 - 12.0 TONNES



IMPROVEMENT THAT PAYS FOR ITSELF

INVEST IN HIGHER PERFORMANCE AND OPERATING ECONOMY. CAT HEAVY ELECTRIC FORKLIFTS ARE BUILT TO BOOST YOUR PRODUCTIVITY AND SAVE YOU MONEY. DAY AFTER DAY. WHATEVER THE CONDITIONS. TO THOSE BENEFITS, THEY ADD SMOOTH, QUIET COMFORT THAT GETS THE BEST OUT OF YOUR DRIVERS.



High-capacity batteries and energy-efficient electrical systems give an ideal blend of performance and runtime. Batteries are divided into two parts for easy lateral exchanges using a pallet truck or other forklift. The trucks' low maintenance needs and durability against harsh environments further reduce ongoing costs and downtime.



Advanced electric drive and lift motor technology gives all the power and speed you want. High torque, acceleration and lifting strength combine with precise electronic control and smoothness in all actions. High-positioned mast tilt cylinders enhance stability and residual capacity.



Compact truck dimensions and high steering angles – including +100° steer axle turning on NH models – allow excellent manoeuvrability. A low overhead guard, optionally available at all truck capacities, allows entry into containers. Safe and accurate manoeuvring is aided by clear-view design and a rear-view camera.



A low seating position means less climbing for drivers who frequently leave and re-enter the cab. The spacious, comfortable and ergonomic driver compartment is rubber-mounted to minimise vibration and noise. Hydraulic pumps, drive units and controllers are also designed for quiet operation, comfort and low stress.

LOWER COST OF OPERATION

- Latest electric motor technology reduces energy consumption while increasing power.
- Advanced controllers ensure highly efficient motor management and are positioned close to their respective motors to shorten wiring and minimise energy losses.
- Large battery capacity and voltage combine with high electrical system efficiency to extend working hours (runtime) while enabling strong performance.
- Strong regenerative braking recycles energy.
- Charging hatch saves on time and labour by allowing quick connection for recharging without removing the battery.
- 96V battery is divided into two parts, easily accessed without tricky doors or catches, for fast lateral exchange by one person using a power pallet or other lift truck.
- Multifunctional, interactive, colour display encourages correct use and maintenance of truck.
- Simple plug-in diagnostics and troubleshooting reduce downtime and maintain efficient performance.
- Easy maintenance access features speed up servicing of motors, controllers and other systems.
- Sealing of motors to IP54 standard protects against splashing and wind-driven water, as well as dust and dirt, for use in all weathers and on wet or muddy ground.
- Sealing of controllers to IP65 standard gives even higher protection to sensitive electronics.
- Protective enclosure of motors and controllers within truck's design further shields components from hostile conditions.
- Additional rear oil cooler prevents damage due to overheating and helps maintain optimum temperature for efficient functioning of systems. (NH models.)
- Fork carriage offers option of eight rollers (instead of six) for extra confidence in heavy use.
- Robust construction reduces repair and part replacement needs and helps maintain truck's high residual value.

UNMATCHED PRODUCTIVITY

- Powerful twin traction motors in front axle generate high RPM, torque and acceleration.
- Powerful single lift motor provides fast, strong and precisely controlled hydraulic movements.
- Advanced traction and hydraulic pump controllers make all drive, mast and fork actions smooth and precise.
- High steering angles, precise electronic control and compact truck dimensions contribute to agile manoeuvring.
- +100° rear steering axle enables the truck to turn on the spot, within its own dimensions, and to make instant side turns with no need for initial backward movement. (NH models.)
- Intelligent curve control assures quick but safe cornering by smoothly adjusting truck speed according to steered angle.
- High-positioned mast tilt cylinders enhance stability, especially at greater heights, and increase residual capacity.
- Low overhead guard option is available on all models – even those with the highest load capacities – for work in containers.

SAFETY AND ERGONOMICS

- Silent hydraulic pumps together with quiet drive units, controllers and other low-noise technologies keep driver comfortable and stress-free, increase awareness of surrounding activity and avoid disturbing neighbours and co-workers.
- Rubber-mounted operator compartment minimises vibration and noise.
- Low seating position means much less climbing for drivers when frequently leaving and re-entering the cab.
- Long grab handle and wide, anti-slip step aid entry and exit.
- Spacious, uncluttered operator compartment offers plenty of foot room, overhead clearance and useful storage areas.
- High-comfort seat is fully adjustable for driver size and weight, armrest position and other preferences.
- Easy-to-read colour display keeps drivers fully informed.
- Clear-vision mast design includes nesting of triplex stage within duplex and division of free lift cylinders into two parts.

- Rear-view camera (fitted as standard) combines with special mast, dashboard and overhead guard designs to give clear all-round views with little or no need for driver to lean or change position.
- Separate air conditioner and heater options allow choice of one or other, or both, or – for very cold regions – two heating units.
- Window heating elements can be optionally specified for demisting front and/or rear glass.
- Weatherproof panel options include: front windscreen (low or normal) with wash/wipe and roof; transparent plexiglass roof; PVC doors; or a full comfort cabin.
- Knob on ergonomic steering wheel aids turning.
- Telescopic steering column is adjustable for depth as well as angle, ensuring the most ergonomic and comfortable position.
- Fingertip hydraulic controls on a comfortable, adjustable armrest are standard on NH models.
- Manual hydraulic control levers are standard on N models but can be optionally swapped for fingertip units.
- Pedal designs, positions and angles reduce fatigue for drivers of any height or foot size.
- Separate forward and reverse pedals allow rapid changes of direction in busy operations and are accompanied by a large brake pedal for fast application with little effort.
- Conventional accelerator pedal option can be selected if preferred, with optional direction-change lever on steering column.
- Automated parking brake is activated after a set period when truck stops.
- Seat switch deactivates travel if driver leaves the truck.
- Bright orange seat belt colour helps in encouraging and enforcing best safety practice.
- Sensorised seat belt shows warning light and prevents truck operation if belt is not fastened.
- Emergency stop button is located behind the driver's seat if needed.
- Lighting options include road light kit, LED work lights, amber strobes and blue spots.

STANDARD EQUIPMENT AND OPTIONS

GENERAL	EP60N	EP60NH	EP65N	EP65NH	EP70N	EP70NH	EP80N	EP80NH	EP80N-900	EP80NH-900	EP90N	EP90NH	EP100N	EP100NH	EP120NH
4-wheel chassis, 96 volts	●	●	●	●	●	●	●	●	●	●	●	●	●	●	●
Low overhead guard for container applications	○	○	○	○	○	○	○	○	○	○	○	○	○	○	○
Key pre-set economy or high performance mode (ECO/PRO)	○	○	○	○	○	○	○	○	○	○	○	○	○	○	○
Variable hydraulic speed control functions	●	●	●	●	●	●	●	●	●	●	●	●	●	●	●
Intelligent curve control	●	●	●	●	●	●	●	●	●	●	●	●	●	●	●
Sensorised safety seat belt	●	●	●	●	●	●	●	●	●	●	●	●	●	●	●
CE name plates – language markings	●	●	●	●	●	●	●	●	●	●	●	●	●	●	●
Operations and Maintenance Manual	●	●	●	●	●	●	●	●	●	●	●	●	●	●	●
POWER SOURCE															
Lead-acid battery	●	●	●	●	●	●	●	●	●	●	●	●	●	●	●
FRAME															
Battery tray	○	○	○	○	○	○	○	○	○	○	○	○	○	○	○
Quick and easy battery lateral replacement	●	●	●	●	●	●	●	●	●	●	●	●	●	●	●
LIGHTING															
LED work lights	○	○	○	○	○	○	○	○	○	○	○	○	○	○	○
Amber strobe	○	○	○	○	○	○	○	○	○	○	○	○	○	○	○
'Blue point' rear light	○	○	○	○	○	○	○	○	○	○	○	○	○	○	○
'Blue point' rear light mounted low	○	○	○	○	○	○	○	○	○	○	○	○	○	○	○
ELECTRICAL SYSTEM															
Forward/reverse drive direction selection with double pedal system	○	○	○	○	○	○	○	○	○	○	○	○	○	○	○
Drive direction lever in steering column (forward–neutral–reverse)	○	○	○	○	○	○	○	○	○	○	○	○	○	○	○
Road light kit	○	○	○	○	○	○	○	○	○	○	○	○	○	○	○
PIN code access with start switch	○	○	○	○	○	○	○	○	○	○	○	○	○	○	○
Load weight indicator	○	○	○	○	○	○	○	○	○	○	○	○	○	○	○
OPERATOR'S CABIN															
Air conditioner	○	○	○	○	○	○	○	○	○	○	○	○	○	○	○
Heater	○	○	○	○	○	○	○	○	○	○	○	○	○	○	○
Multifunctional interactive full-colour display	●	●	●	●	●	●	●	●	●	●	●	●	●	●	●
Rear-view camera	●	●	●	●	●	●	●	●	●	●	●	●	●	●	●
Tilttable steering column	●	●	●	●	●	●	●	●	●	●	●	●	●	●	●
Fingertip control armrest	○	●	○	●	○	●	○	●	○	○	○	●	○	●	●
Manual control levers	●	—	●	—	●	—	●	—	●	—	●	—	●	—	—
Full-suspension vinyl Grammer MSG85 seat	●	●	●	●	●	●	●	●	●	●	●	●	●	●	●
ACCESSORIES															
Rear-view mirror	○	○	○	○	○	○	○	○	○	○	○	○	○	○	○
External rear-view mirror	○	○	○	○	○	○	○	○	○	○	○	○	○	○	○
Additional camera	○	○	○	○	○	○	○	○	○	○	○	○	○	○	○
CABIN															
Default OHG	●	●	●	●	●	●	●	●	●	●	●	●	●	●	●
Front screen and roof with wiper/washer	○	○	○	○	○	○	○	○	○	○	○	○	○	○	○
Low front screen and roof with wiper/washer	○	○	○	○	○	○	○	○	○	○	○	○	○	○	○
Heating element rear screen	○	○	○	○	○	○	○	○	○	○	○	○	○	○	○
Heating element front screen	○	○	○	○	○	○	○	○	○	○	○	○	○	○	○
Air conditioner	○	○	○	○	○	○	○	○	○	○	○	○	○	○	○
Plexi roof	○	○	○	○	○	○	○	○	○	○	○	○	○	○	○
PVC doors	○	○	○	○	○	○	○	○	○	○	○	○	○	○	○
Full cabin	○	○	○	○	○	○	○	○	○	○	○	○	○	○	○

● Standard ○ Option

For more information about standard and available optional equipment, please contact your dealer.

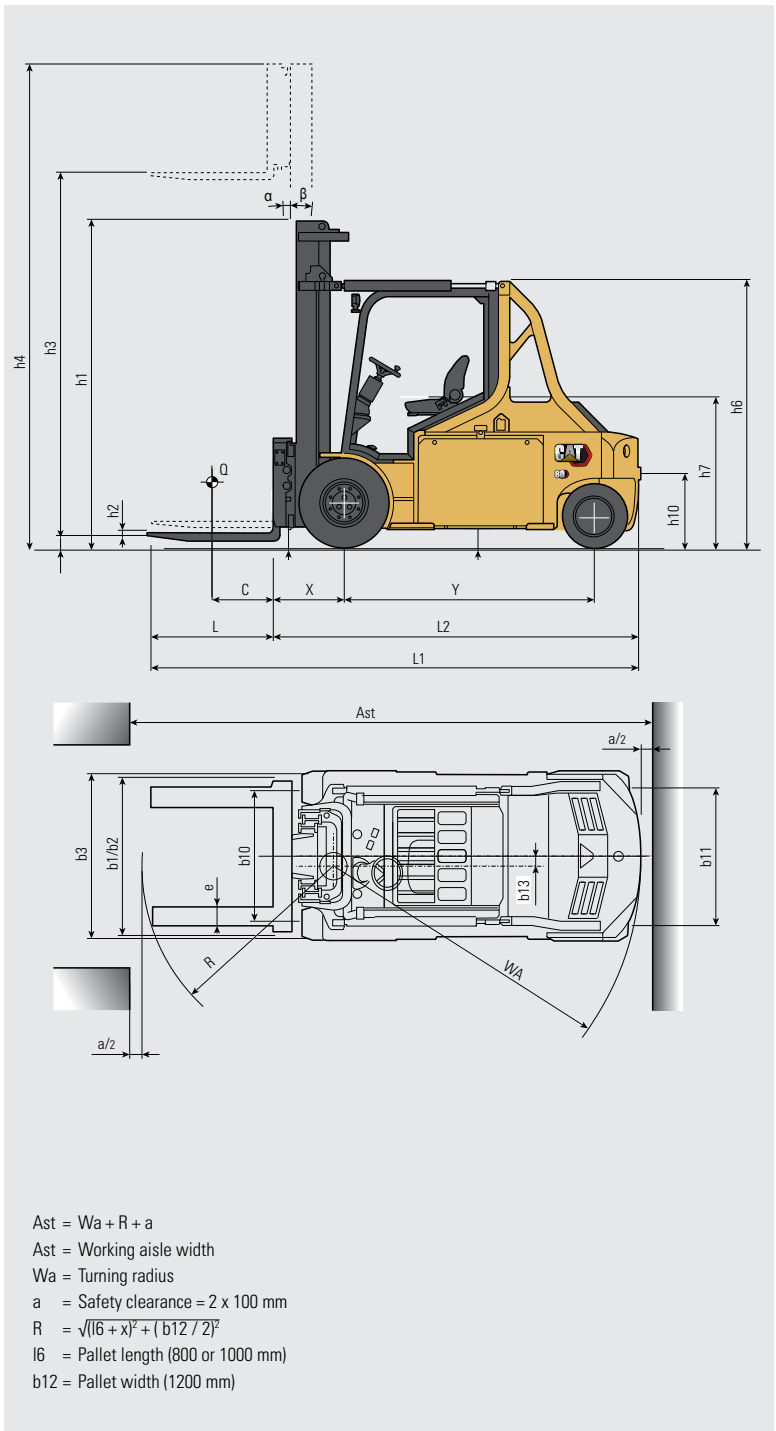
STANDARD EQUIPMENT AND OPTIONS CONTINUED

	EP60N	EP60NH	EP65N	EP65NH	EP70N	EP70NH	EP80N	EP80NH	EP80N-900	EP80NH-900	EP90N	EP90NH	EP100N	EP100NH	EP120NH
EXTERIOR															
Special colour (RAL) for frame and counterweight	○	○	○	○	○	○	○	○	○	○	○	○	○	○	○
FORKS & CARRIAGE															
Various fork lengths (1200 - 2400mm)	○	○	○	○	○	○	○	○	○	○	○	○	○	○	○
Load backrest	○	○	○	○	○	○	○	○	○	○	○	○	○	○	○
Integrated side shifter	○	○	○	○	○	○	○	○	○	○	○	○	○	○	○
Fork positioner + integrated side shifter	○	○	○	○	○	○	○	○	○	○	○	○	○	○	○
Fork carriage with 8 rollers	○	○	○	○	○	○	○	○	○	○	○	○	○	○	○
HYDRAULIC SYSTEM															
3/4/5-way valve armrest-mounted fingertip control (FC)	○	○	○	○	○	○	○	○	○	○	○	○	○	○	○
3/4-way valve manual control (MC)	○	○	○	○	○	○	○	○	○	○	○	○	○	○	○
Double action FC 3 v, for clamp usage	○	○	○	○	○	○	○	○	○	○	○	○	○	○	○
Double action FC 4 v, for clamp usage	○	○	○	○	○	○	○	○	○	○	○	○	○	○	○
Double action MC 3 v, for clamp usage	○	—	○	—	○	—	○	—	○	—	○	—	○	—	—
Double action MC 4 v, for clamp usage	○	—	○	—	○	—	○	—	○	—	○	—	○	—	—
Hydraulic accumulator	○	○	○	○	○	○	○	○	○	○	○	○	○	○	○
3-way piping	○	○	○	○	○	○	○	○	○	○	○	○	○	○	○
4-way piping	○	○	○	○	○	○	○	○	○	○	○	○	○	○	○
TYRES															
Super elastic tyres	●	●	●	●	●	●	●	●	—	—	—	—	—	—	—
Non-marking super elastic tyres	○	○	○	○	○	○	○	○	—	—	—	—	—	—	—
Dual super elastic tyres	○	○	○	○	○	○	○	○	●	●	●	●	●	●	●
Non-marking solid tyres	○	○	○	○	○	○	○	○	○	○	○	○	○	○	○
Cushion tyres	○	○	○	○	○	○	○	○	○	○	○	○	○	○	○
Non-marking cushion tyres	○	○	○	○	○	○	○	○	○	○	○	○	○	○	○

● Standard ○ Option

For more information about standard and available optional equipment, please contact your dealer.

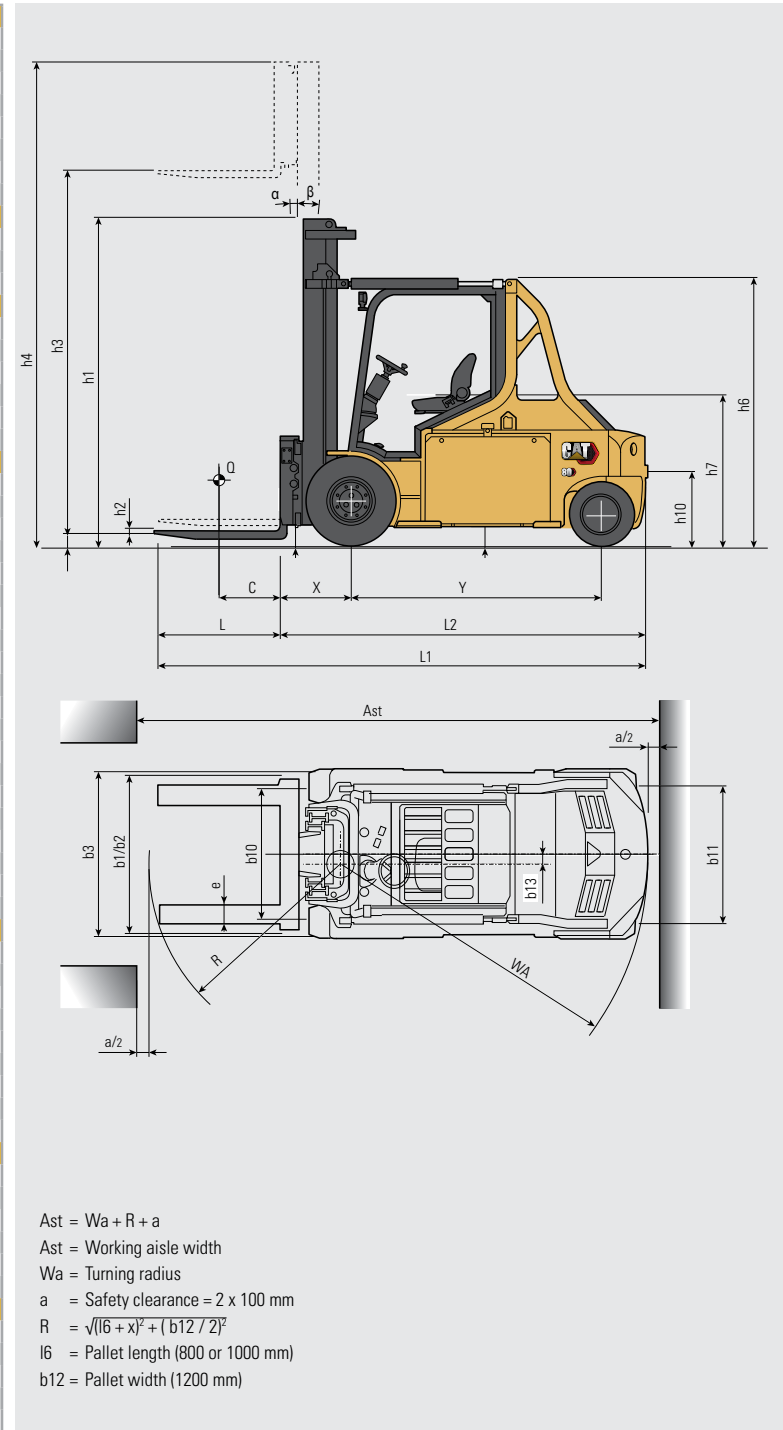
Characteristics			Cat Lift Trucks	Cat Lift Trucks	Cat Lift Trucks	Cat Lift Trucks	Cat Lift Trucks
Weight							
1.1	Manufacturer						
1.2	Manufacturer's model designation						
1.3	Power source: (battery, diesel, LP gas, petrol)		EP60N	EP60NH	EP65N	EP65NH	EP70N
1.4	Operator type: pedestrian, standing, seated		Electric	Electric	Electric	Electric	Electric
1.5	Load capacity	Q (kg)	6000	6000	6500	6500	7000
1.6	Load centre distance	c (mm)	600	600	600	600	600
1.8	Load distance, axle to fork face	x (mm)	650	650	650	650	650
1.9	Wheelbase	y (mm)	2250	2250	2250	2250	2250
2.1	Truck weight, without load / including battery (simplex mast, lowest lift height)	kg	10260	10260	10430	10430	10770
2.2	Axle loading with maximum load, front/rear (simplex mast, lowest lift height)	kg	14523 / 1737	14523 / 1737	15316 / 1614	15316 / 1614	16124 / 1646
2.3	Axle loading without load, front/rear (simplex mast, lowest lift height)	kg	5190 / 5070	5190 / 5070	5200 / 5230	5200 / 5230	5240 / 5530
Wheels, Drive Train							
3.1	Tyres: V=solid, L=pneumatic, SE=solid pneumatic - front/rear		SE	SE	SE	SE	SE
3.2	Tyre dimensions, front		8.25-15	8.25-15	8.25-15	8.25-15	8.25-15
3.3	Tyre dimensions, rear		22x9-16 23x10-12	22x9-16 23x10-12	22x9-16 23x10-12	22x9-16 23x10-12	22x9-16 23x10-12
3.5	Number of wheels, front/rear (x=driven)		2X/2	2X/2	2X/2	2X/2	2X/2
3.6	Track width (centre of tyres), front	b10 (mm)	1305 1375 1380	1306 1375 1380	1307 1375 1380	1308 1375 1380	1309 1375 1380
3.7	Track width (centre of tyres), rear	b11 (mm)	1220 1225	1221 1225	1222 1225	1223 1225	1224 1225
Dimensions							
4.1	Mast tilt, forwards/backwards	∅ / β °	5.5/6 ⁽¹⁾	5.5/6 ⁽¹⁾	5.5/6 ⁽¹⁾	5.5/6 ⁽¹⁾	5.5/6 ⁽¹⁾
4.2	Height with mast lowered (see tables)	h1 (mm)	2680	2680	2680	2680	2680
4.3	Free lift (see tables)	h2 (mm)	100	100	100	100	100
4.4	Lift height (see tables)	h3 (mm)	3400	3400	3400	3400	3400
4.5	Overall height with mast raised	h4 (mm)	4370	4370	4370	4370	4370
4.7	Height to top of overhead guard	h6 (mm)	2420	2420	2420	2420	2420
4.8	Seat height	h7 (mm)	1330	1330	1330	1330	1330
4.12	Tow coupling height	h10 (mm)	465	465	465	465	465
4.19	Overall length	l1 (mm)	4550	4550	4550	4550	4550
4.20	Length to fork face (includes fork thickness)	l2 (mm)	3300	3300	3300	3300	3300
4.21	Overall width	b1 / b2 (mm)	1660 / 1830	1661 / 1830	1662 / 1830	1663 / 1830	1664 / 1830
4.22	Fork dimensions (thickness, width, length)	s / e / l (mm)	150x60x1200	150x60x1200	150x60x1200	150x60x1200	150x60x1200
4.23	Fork carriage iso 2328/30, FEM/A,B		4A	4A	4A	4A	4A
4.24	Fork carriage width	b3 (mm)	1300	1300	1300	1300	1300
4.31	Ground clearance under mast, with load	m1 (mm)	180	180	180	180	180
4.32	Ground clearance at centre of wheelbase, with load (forks lowered)	m2 (mm)	165	165	165	165	165
4.33	Working aisle width with 1000 x1200 mm pallets, crosswise	Ast (mm)	4835	4610	4835	4610	4835
4.34b	Working aisle width with 800 x1200 mm pallets, lengthwise	Ast (mm)	5035	4745	5035	4745	5035
4.35	Turning circle radius	Wa (mm)	2985	2650	2985	2650	2985
4.36	Minimum distance between centres of rotation	b13 (mm)	950	-	950	-	950
Performance							
5.1	Travel speed, with/without load	km / h	15 / 15	20 / 20	15 / 15	20 / 20	14.5 / 15
5.2	Lifting speed, with/without load	m / s	0.24 / 0.39	0.24 / 0.40	0.24 / 0.41	0.24 / 0.42	0.22 / 0.39
5.3	Lowering speed, with/without load	m / s	0.5 / 0.4	0.39 / 0.45	0.5 / 0.6	0.37 / 0.45	0.5 / 0.8
5.5	Rated drawbar pull, with/without load	N	6900 / 7500	6900 / 7500	6900 / 7500	6900 / 7500	6600 / 7300
5.6	Maximum drawbar pull, with/without load (5 min. short duty)	N	16400 / 17000	23800 / 24400	16400 / 17000	23700 / 24300	16100 / 16800
5.7	Gradeability, with/without load	%	6.5 / 11	8.2 / 13.5	6.5 / 11	7.9 / 12.8	5.5 / 10
5.8	Maximum gradeability, with/without load	%	10 / 16	14.7 / 23.7	10 / 16	14.2 / 22.5	8.5 / 14
5.9	Acceleration time (10 metres) with/without load	s	5.8 / 5.4	6.6 / 5.3	5.8 / 5.4	6.6 / 5.3	6.1 / 5.7
5.10	Service brakes (mechanical/hydraulic/electric/pneumatic)		Electric	Hydraulic/Electric	Electric	Hydraulic/Electric	Electric
Electric Motors							
6.1	Drive motor capacity (60 min. short duty)	kW	2x15	2x15	2x15	2x15	2x15
6.2	Lift motor output at 15% duty factor	kW	30	30	30	30	30
6.3	Battery to DIN 43 531/35/36 A/B/C/no		-	-	-	-	-
6.4	Battery voltage	V / Ah	96	96	96	96	96
6.5	Battery weight	kg	3350	3350	3350	3350	3350
6.6b	Energy consumption acc. to VDI cycle 3	kWh / h	12.2 (42/45)	12.2 (42/45)	12.2 (42/45)	12.2 (42/45)	13.4(42/45)
Miscellaneous							
8.1	Type of drive control		Inverter	Inverter	Inverter	Inverter	Inverter
10.1	Maximum operating pressure for attachments	bar	200	200	200	200	200
10.2	Oil flow for attachments	l / min	-	-	-	-	-
10.7	Noise level, value at operator's ear (EN 12053)	dB (A)	-	-	-	-	-
10.8	Towing coupling design / DIN type, ref.		72	72	72	72	72



This specification sheet provides details of the standard truck specification in accordance with VDI Guideline 2198.
 1) Depending on the type of mast 2) Custom design fork carriage 3) Cycles performed / cycles requested

Characteristics		
1.1	Manufacturer	
1.2	Manufacturer's model designation	
1.3	Power source: (battery, diesel, LP gas, petrol)	
1.4	Operator type: pedestrian, standing, seated	
1.5	Load capacity	Q (kg)
1.6	Load centre distance	c (mm)
1.8	Load distance, axle to fork face	x (mm)
1.9	Wheelbase	y (mm)
Weight		
2.1	Truck weight, without load / including battery (simplex mast, lowest lift height)	kg
2.2	Axle loading with maximum load, front/rear (simplex mast, lowest lift height)	kg
2.3	Axle loading without load, front/rear (simplex mast, lowest lift height)	kg
Wheels, Drive Train		
3.1	Tyres: V=solid, L=pneumatic, SE=solid pneumatic - front/rear	
3.2	Tyre dimensions, front	
3.3	Tyre dimensions, rear	
3.5	Number of wheels, front/rear (x=driven)	
3.6	Track width (centre of tyres), front	b10 (mm)
3.7	Track width (centre of tyres), rear	b11 (mm)
Dimensions		
4.1	Mast tilt, forwards/backwards	∅ / β °
4.2	Height with mast lowered (see tables)	h1 (mm)
4.3	Free lift (see tables)	h2 (mm)
4.4	Lift height (see tables)	h3 (mm)
4.5	Overall height with mast raised	h4 (mm)
4.7	Height to top of overhead guard	h6 (mm)
4.8	Seat height	h7 (mm)
4.12	Tow coupling height	h10 (mm)
4.19	Overall length	l1 (mm)
4.20	Length to fork face (includes fork thickness)	l2 (mm)
4.21	Overall width	b1 / b2 (mm)
4.22	Fork dimensions (thickness, width, length)	s / e / l (mm)
4.23	Fork carriage iso 2328/30, FEM/A,B	
4.24	Fork carriage width	b3 (mm)
4.31	Ground clearance under mast, with load	m1 (mm)
4.32	Ground clearance at centre of wheelbase, with load (forks lowered)	m2 (mm)
4.33	Working aisle width with 1000 x1200 mm pallets, crosswise	Ast (mm)
4.34b	Working aisle width with 800 x1200 mm pallets, lengthwise	Ast (mm)
4.35	Turning circle radius	Wa (mm)
4.36	Minimum distance between centres of rotation	b13 (mm)
Performance		
5.1	Travel speed, with/without load	km / h
5.2	Lifting speed, with/without load	m / s
5.3	Lowering speed, with/without load	m / s
5.5	Rated drawbar pull, with/without load	N
5.6	Maximum drawbar pull, with/without load (5 min. short duty)	N
5.7	Gradeability, with/without load	%
5.8	Maximum gradeability, with/without load	%
5.9	Acceleration time (10 metres) with/without load	s
5.10	Service brakes (mechanical/hydraulic/electric/pneumatic)	
Electric Motors		
6.1	Drive motor capacity (60 min. short duty)	kW
6.2	Lift motor output at 15% duty factor	kW
6.3	Battery to DIN 43 531/35/36 A/B/C/no	
6.4	Battery voltage	V / Ah
6.5	Battery weight	kg
6.6b	Energy consumption acc. to VDI cycle 3	kWh / h
Miscellaneous		
8.1	Type of drive control	
10.1	Maximum operating pressure for attachments	bar
10.2	Oil flow for attachments	l / min
10.7	Noise level, value at operator's ear (EN 12053)	dB (A)
10.8	Towing coupling design / DIN type, ref.	

	Cat Lift Trucks	Cat Lift Trucks	Cat Lift Trucks	Cat Lift Trucks	Cat Lift Trucks
	EP70NH	EP80N	EP80NH	EP80N-900	EP80NH-900
	Electric	Electric	Electric	Electric	Electric
	Seated	Seated	Seated	Seated	Seated
	7000	8000	8000	8000	8000
	600	600	600	900	900
	650	700	700	700	700
	2250	2550	2550	2550	2630
	10770	12095	12095	12095	14175
	16124 / 1646	18670 / 1425	18670 / 1425	18670 / 1425	20356 / 1819
	5240 / 5530	6590 / 5505	6590 / 5505	6590 / 5505	7490 / 6685
	SE	SE	SE	SE	SE
	8.25-15	8.25-15	8.25-15	8.25-15	8.25-15
	22x9-16 23x10-12	22x9-16 23x10-12	22x9-16 23x10-12	315 / 45-12	315 / 45-12
	2X/2	2X/2	2X/2	4X/2	4X/2
	1310 1375 1380	1311 1375 1380	1312 1375 1380	1460	1460
	1225 1225	1226 1225	1227 1225	1215	1215
	5.5/6 ⁽¹⁾	5.5/6 ⁽¹⁾	5.5/6 ⁽¹⁾	5.5/6 ⁽²⁾	5.5/6 ⁽²⁾
	2680	2792	2792	2900	2900
	100	0	0	0	0
	3400	3400	3400	3400	3400
	4370	4530	4530	4800	4800
	2420	2420	2420	2420	2420
	1330	1330	1330	1330	1330
	465	465	465	465	465
	4550	4840	4840	5340	5340
	3300	3640	3640	3740	3740
	1665 / 1830	1666 / 1830	1667 / 1830	1900	1900
	150x60x1200	200x60x1200	200x60x1200	200x60x1200	200x70x1600
	4A	4A	4A	4A	4A
	1300	1300	1300	1800	1800
	180	180	180	180	180
	165	165	165	165	165
	4610	5200	4955	5350	4955
	4745	5400	5095	5550	5095
	2650	3300	2950	3450	2950
	-	1050	-	1050	1150
	Hydraulic/Electric	Electric	Hydraulic/Electric	Hydraulic/Electric	Electric
	2x15	2x15	2x15	2x15	2x15
	30	30	45	45	45
	-	-	-	-	-
	96	96	96	96	96
	3350	4300	4300	4300	4300
	13.4(42/45)	15.3 (40/45)	15.3 (40/45)	15.3 (40/45)	15.3 (40/45)
	Inverter	Inverter	Inverter	Inverter	Inverter
	200	200	200	200	200
	-	-	-	-	-
	-	-	-	-	-
	72	72	72	72	72



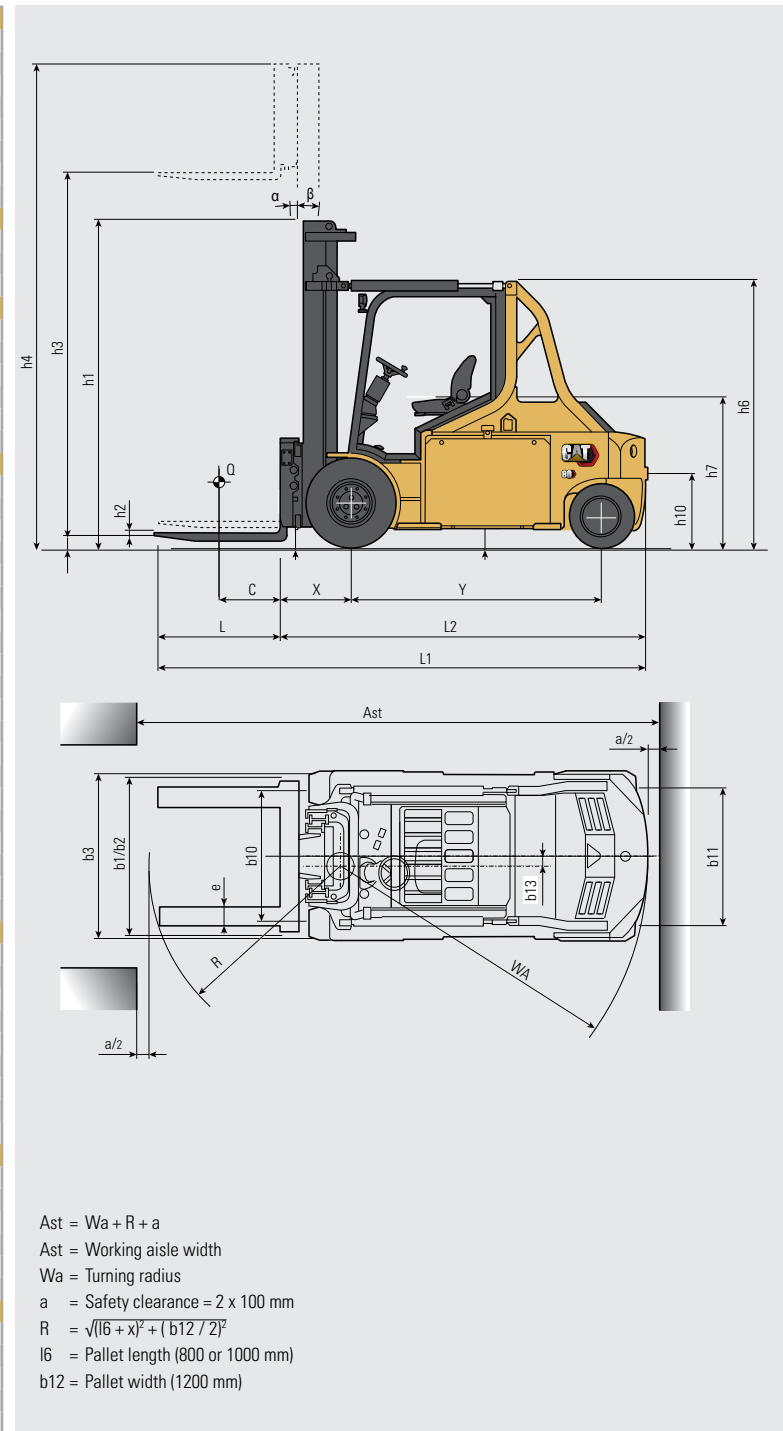
This specification sheet provides details of the standard truck specification in accordance with VDI Guideline 2198.

1) Depending on the type of mast

2) Custom design fork carriage

3) Cycles performed / cycles requested

Characteristics			Cat Lift Trucks	Cat Lift Trucks	Cat Lift Trucks	Cat Lift Trucks	Cat Lift Trucks
Weight							
1.1	Manufacturer		EP90N	EP90NH	EP100N	EP100NH	EP120NH
1.2	Manufacturer's model designation		Electric	Electric	Electric	Electric	Electric
1.3	Power source: (battery, diesel, LP gas, petrol)		Seated	Seated	Seated	Seated	Seated
1.4	Operator type: pedestrian, standing, seated		9000	9000	10000	10000	12000
1.5	Load capacity	Q (kg)	600	600	600	600	600
1.6	Load centre distance	c (mm)	720	720	720	720	730
1.8	Load distance, axle to fork face	x (mm)	2550	2550	2630	2630	2980
1.9	Wheelbase	y (mm)					
Wheels, Drive Train							
2.1	Truck weight, without load / including battery (simplex mast, lowest lift height)	kg	13425	13425	14175	14425	16105
2.2	Axle loading with maximum load, front/rear (simplex mast, lowest lift height)	kg	20780 / 1645	20780 / 1645	20356 / 1819	22678 / 1747	26199 / 1906
2.3	Axle loading without load, front/rear (simplex mast, lowest lift height)	kg	7120 / 6305	7120 / 6305	7490 / 6685	7660 / 6765	8840 / 7265
3.1	Tyres: V=solid, L=pneumatic, SE=solid pneumatic - front/rear		SE	SE	SE	SE	SE
3.2	Tyre dimensions, front		8.25-15	8.25-15	300-15	300-15	355/65-15
3.3	Tyre dimensions, rear		23x10-12	23x10-12	315/45-12	315/45-12	315/45-12
3.5	Number of wheels, front/rear (x=driven)		4X/2	4X/2	4X/2	4X/2	4X/2
3.6	Track width (centre of tyres), front	b10 (mm)	1380	1380	1460	1460	1565
3.7	Track width (centre of tyres), rear	b11 (mm)	1225	1225	1215	1215	1215
Dimensions							
4.1	Mast tilt, forwards/backwards	∅ / β °	5.5/6 ⁽²⁾	5.5/6 ⁽²⁾	5.5/6 ⁽²⁾	5.5/6 ⁽²⁾	5.5/6 ⁽²⁾
4.2	Height with mast lowered (see tables)	h1 (mm)	2900	2900	2950	2950	2950
4.3	Free lift (see tables)	h2 (mm)	0	0	0	0	0
4.4	Lift height (see tables)	h3 (mm)	3400	3400	3400	3400	3400
4.5	Overall height with mast raised	h4 (mm)	4800	4800	4850	4850	4900
4.7	Height to top of overhead guard	h6 (mm)	2420	2420	2420	2420	2420
4.8	Seat height	h7 (mm)	1330	1330	1330	1330	1330
4.12	Tow coupling height	h10 (mm)	465	465	465	465	465
4.19	Overall length	l1 (mm)	4880	4880	4960	4960	5325
4.20	Length to fork face (includes fork thickness)	l2 (mm)	3680	3680	3760	3760	4125
4.21	Overall width	b1 / b2 (mm)	1830	1830	2000	2000	2140
4.22	Fork dimensions (thickness, width, length)	s / e / l (mm)	200x60x1200	200x60x1200	200x60x1200	200x60x1200	200x70x1200
4.23	Fork carriage iso 2328/30, FEM/A,B		5A	5A	5A	5A	HD1 ⁽²⁾
4.24	Fork carriage width	b3 (mm)	1500	1500	1800	1800	2000
4.31	Ground clearance under mast, with load	m1 (mm)	180	180	180	180	180
4.32	Ground clearance at centre of wheelbase, with load (forks lowered)	m2 (mm)	165	165	165	165	165
4.33	Working aisle width with 1000 x1200 mm pallets, crosswise	Ast (mm)	5220	4975	5420	5420	5705
4.34b	Working aisle width with 800 x1200 mm pallets, lengthwise	Ast (mm)	5420	5115	5420	5420	5905
4.35	Turning circle radius	Wa (mm)	3300	2950	3500	3500	3705
4.36	Minimum distance between centres of rotation	b13 (mm)	1050	1050	1250	1250	1250
Performance							
5.1	Travel speed, with/without load	km / h	15 / 18	18 / 19	14 / 15	16 / 18	16 / 17
5.2	Lifting speed, with/without load	m / s	0.28 / 0.4	0.28 / 0.4	0.18 / 0.27	0.22 / 0.32	0.28 / 0.36
5.3	Lowering speed, with/without load	m / s	0.47 / 0.39	0.28 / 0.4	0.5 / 0.4	0.5 / 0.4	0.47 / 0.38
5.5	Rated drawbar pull, with/without load	N	6100 / 6850	6100 / 6850	5000 / 5600	5000 / 5650	5400 / 6800
5.6	Maximum drawbar pull, with/without load (5 min. short duty)	N	15150 / 15900	23000 / 23900	18500 / 19000	18600 / 19350	22900 / 23700
5.7	Gradeability, with/without load	%	4.7 / 9	5.6 / 10	4 / 8	4.5 / 8	4.8 / 8.8
5.8	Maximum gradeability, with/without load	%	7.7 / 12.7	10.3 / 17.8	8 / 14	8.3 / 14.5	8.7 / 15
5.9	Acceleration time (10 metres) with/without load	s	5.8 / 5.4	7.8 / 5.8	6 / 4	6.2 / 4.7	9.6 / 6.9
5.10	Service brakes (mechanical/hydraulic/electric/pneumatic)		Electric	Hydraulic/Electric	Hydraulic/Electric	Electric	Electric
Electric Motors							
6.1	Drive motor capacity (60 min. short duty)	kW	2x15	2x15	2x15	2x15	2x15
6.2	Lift motor output at 15% duty factor	kW	45	45	45	45	45
6.3	Battery to DIN 43 531/35/36 A/B/C/no		-	-	-	-	-
6.4	Battery voltage	V / Ah	96	96	96	96	96
6.5	Battery weight	kg	4300	4300	4300	4300	4700
6.6b	Energy consumption acc. to VDI cycle ³	kWh / h	15.3 (40/45)	15.3 (40/45)	15.8 (39/45)	15.8 (39/45)	16.9 (39/45)
Miscellaneous							
8.1	Type of drive control		Inverter	Inverter	Inverter	Inverter	Inverter
10.1	Maximum operating pressure for attachments	bar	200	200	200	200	200
10.2	Oil flow for attachments	l / min	-	-	-	-	-
10.7	Noise level, value at operator's ear (EN 12053)	dB (A)	-	-	-	-	-
10.8	Towing coupling design / DIN type, ref.		72	72	72	72	72



This specification sheet provides details of the standard truck specification in accordance with VDI Guideline 2198.

1) Depending on the type of mast

2) Custom design fork carriage

3) Cycles performed / cycles requested

Mast Type	Max. fork height mm	EP60N(H)						EP65N(H)					
		Sideshift			Side shifting fork positioner			Sideshift			Side shifting fork positioner		
		Load Capacity (kg) @ load centre (mm)											
		600	900	1200	600	900	1200	600	900	1200	600	900	1200
Simplex	3400	6000	5200	4000	5800	5000	4000	6500	5300	4000	6300	5100	4000
	3800	6000	5150	4000	5800	4950	3950	6500	5300	4000	6300	5100	4000
	4200	6000	5000	4000	5800	4800	3850	6300	5150	4000	6100	4950	4000
	4500	5900	4850	4000	5700	4650	3750	6100	5000	4000	5900	4800	3900
	5500	5500	4500	3800	5300	4300	3550	5700	4700	4000	5500	4500	3800
Duplex and Triplex	4380	6000	5000	4000	5800	4800	3900	6200	5200	4000	6000	5000	4000
	5300	5500	4600	3850	5300	4400	3650	5650	4800	4000	5450	4600	3950
	5500	5400	4500	3800	5200	4300	3550	5600	4750	4000	5400	4550	3850
	5700	5300	4400	3750	5100	4200	3500	5500	4650	4000	5300	4450	3750
	6100	5200	4300	3650	5000	4100	3400	5350	4500	3800	5150	4300	3600

Mast Type	Max. fork height mm	EP70N(H)						EP80N(H)					
		Sideshift			Side shifting fork positioner			Sideshift			Side shifting fork positioner		
		Load Capacity (kg) @ load centre (mm)											
		600	900	1200	600	900	1200	600	900	1200	600	900	1200
Simplex	3400	7000	5300	4000	6800	5300	4000	8000	6300	5100	7800	6100	4900
	3800	6850	5300	4000	6650	5300	4000	7700	6200	5050	7500	6000	4850
	4200	6700	5300	4000	6500	5300	4000	7400	6000	5050	7200	5800	4850
	4500	6500	5300	4000	6300	5150	4000	7100	5750	4900	6900	5550	4700
	5500	6100	4900	4000	5900	4700	4000	6700	5500	4700	6500	5300	4500
Duplex and Triplex	4380	6550	5300	4000	6350	5100	4000	7000	5800	4900	6800	5600	4700
	5300	6150	5100	4000	5950	4900	4000	6600	5600	4700	6400	5400	4500
	5500	6100	5000	4000	5900	4800	4000	6500	5450	4600	6300	5250	4400
	5700	6000	4900	4000	5800	4700	3950	6400	5300	4500	6200	5100	4300
	6100	5800	4700	4000	5600	4500	3800	6200	5100	4300	6000	4900	4100

Mast Type	Max. fork height mm	EP80-900N(H)						EP90N(H)					
		Sideshift			Side shifting fork positioner			Sideshift			Side shifting fork positioner		
		Load Capacity (kg) @ load centre (mm)											
		600	900	1200	600	900	1200	600	900	1200	600	900	1200
Simplex	3400	8000	8000	6500	8000	8000	6500	9000	7200	5600	8800	7000	5600
	3800	8000	7800	6500	8000	7600	6300	8600	7100	5600	8400	6900	5600
	4200	8000	7700	6500	8000	7500	6300	8500	7000	5600	8300	6800	5500
	4600	8000	7600	6400	8000	7400	6200	8200	6800	5600	8000	6600	5500
	5500	8000	7200	6000	8000	7000	5800	7700	6400	5300	7500	6200	5100
Duplex and Triplex	3690	8000	7700	6500	8000	7500	6300	8100	6700	5500	7900	6500	5300
	5100	8000	7100	6050	8000	6900	5850	7300	6100	5100	7100	5900	4900
	5250	8000	7000	5950	8000	6800	5750	7150	6000	5000	6950	5800	4800
	5500	8000	6850	5800	7800	6650	5600	7000	5850	4850	6800	5650	4650
	5700	8000	6750	5700	7800	6550	5500	6800	5700	4700	6600	5500	4500

Mast Type	Max. fork height mm	EP100N(H)					
		Sideshift			Side shifting fork positioner		
		Load Capacity (kg) @ load centre (mm)					
		600	900	1200	600	900	1200
Simplex	3400	10000	7450	5600	9800	7450	5600
	3800	9700	7450	5600	9500	7450	5600
	4200	9400	7450	5600	9200	7450	5600
	4500	9200	7450	5600	9000	7400	5600
	5500	8700	7200	5600	8500	7000	5600
Duplex and Triplex	3730	8900	7400	5600	8700	7200	5600
	5100	8000	6700	5600	7800	6500	5500
	5300	7750	6550	5600	7550	6350	5400
	5500	7600	6400	5500	7400	6200	5300
	5700	7500	6300	5400	7300	6100	5200

EP120NH information not available at time of publication. Please consult with your Cat dealer representative for further details.

Battery Data

		EP60N	EP60NH	EP65N	EP65NH	EP70N	EP70NH	EP80N	EP80NH	EP80N-900	EP80NH-900	EP90N	EP90NH	EP100N	EP100NH	EP120NH
Battery voltage	V	96	96	96	96	96	96	96	96	96	96	96	96	96	96	96
Capacity at a 5-hour discharge	Ah	1085	1085	1085	1085	1085	1085	1395	1395	1395	1395	1395	1395	1395	1395	1550
Battery weight, min	kg	3050	3050	3050	3050	3050	3050	4050	4050	4050	4050	4050	4050	4050	4050	4630
Battery weight, max*	kg	3350	3350	3350	3350	3350	3350	4300	4300	4300	4300	4300	4300	4300	4300	4700

*including battery container

info@catlifttruck.com | www.catlifttruck.com

CECSC2386(09/23) © 2023 MLE B.V. (registration no. 33274459). All rights reserved. CAT, CATERPILLAR, LET'S DO THE WORK, their respective logos, "Caterpillar Yellow", the "Power Edge" and Cat "Modern Hex" trade dress as well as corporate and product identity used herein, are trademarks of Caterpillar and may not be used without permission.

NOTE: Performance specifications may vary depending on standard manufacturing tolerances, vehicle condition, types of tyres, floor or surface conditions, applications, or operating environment. Trucks may be shown with non-standard options. Specific performance requirements and locally available configurations should be discussed with your Cat lift trucks Dealer. Cat Lift Trucks follows a policy of continual product improvement. For this reason, some materials, options and specifications could change without notice.



DOWNLOAD
BROCHURE



WATCH
VIDEOS



DOWNLOAD
OUR APP

